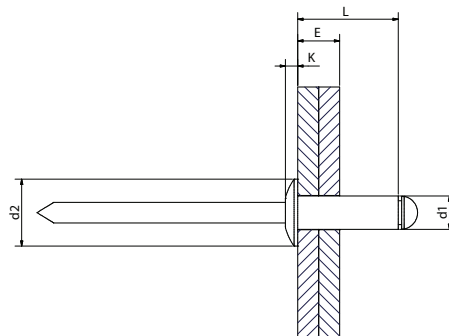


PLATESTRIIP ALUMINIUM RIVETS

- Big head for better load distribution, which is an advantage for fastening of soft materials



STAINLESS

ALU

Product range



Item name	Diameter (d1) [mm]	Length (L) [mm]	Drill hole [mm]	Head diameter (d2) [mm]	Head height (K) [mm]	Grip Range (E) [mm]	Capacity Tensile / Shear [N]
RIVETS/18/14	Ø5.0	18	Ø5.1	Ø14	2.5	8.0 - 14.0	3000 / 2000
RIVETS/14/16		13		Ø16		6.0 - 8.0	
RIVETS/18/16		18		Ø16		8.0 - 14.0	
RIVETS/23		23		Ø16		14.0 - 19.0	