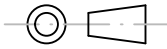
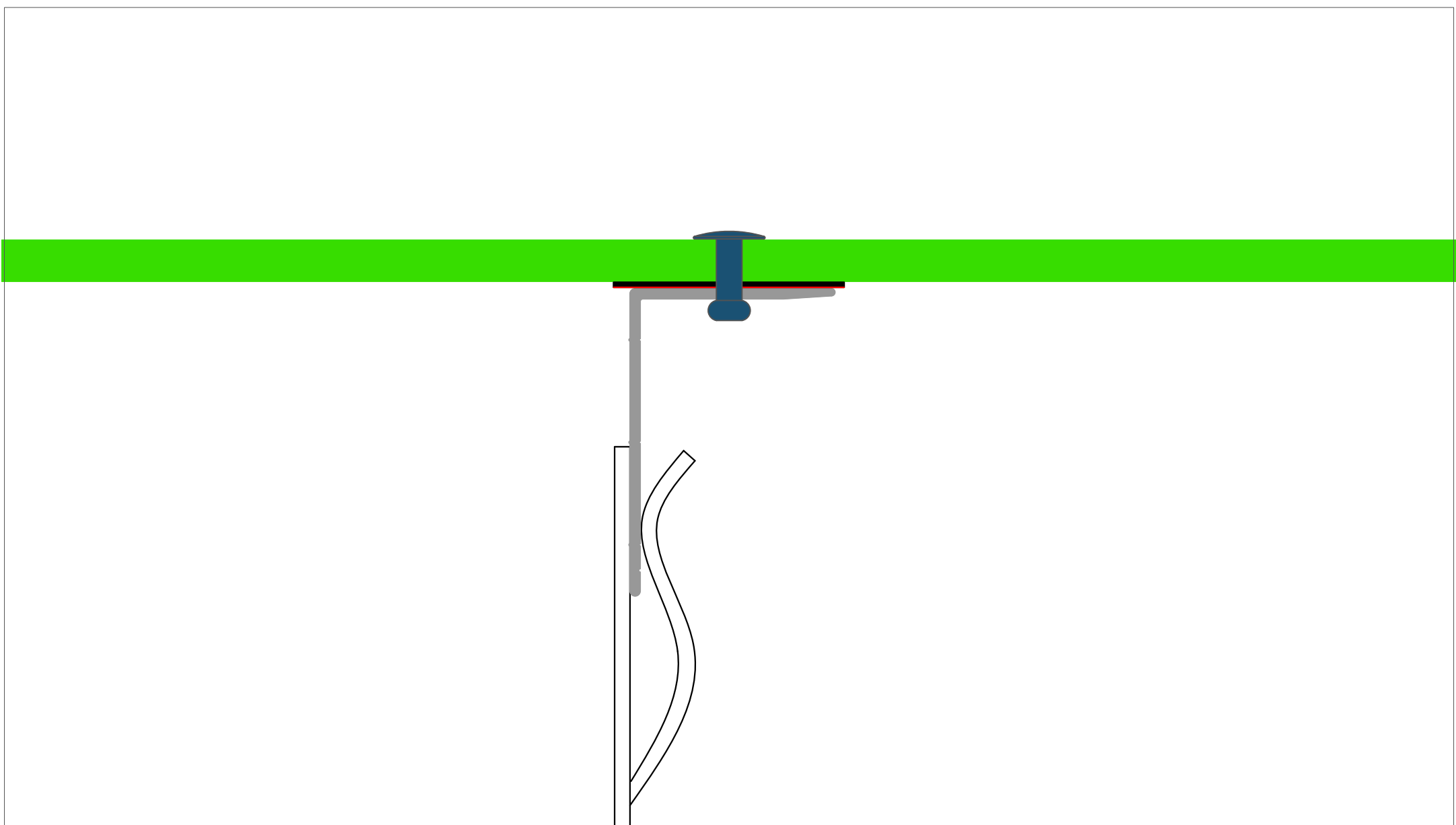


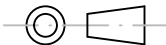
This drawing remains the property of Plastestrip Profiles, St Austell		Dimensions in mm	
Drawn by GJL		Filename rivets117.dwg	Date 24/02/2017
Approval Name: _____ Signature: _____ Date: _____		Material: Stainless steel rivet	
		REF: RIVETS/117	Edition ONE
			Sheet 1/1



This drawing remains the property of Plastestrip Profiles, St Austell

Dimensions in mm

Drawn by  
GJL



Filename  
rivets117.dwg

Date  
24/02/2017

Scale  
1:1

Material: Stainless steel rivet

REF: RIVETS/117

Edition  
ONE

Sheet  
1/1