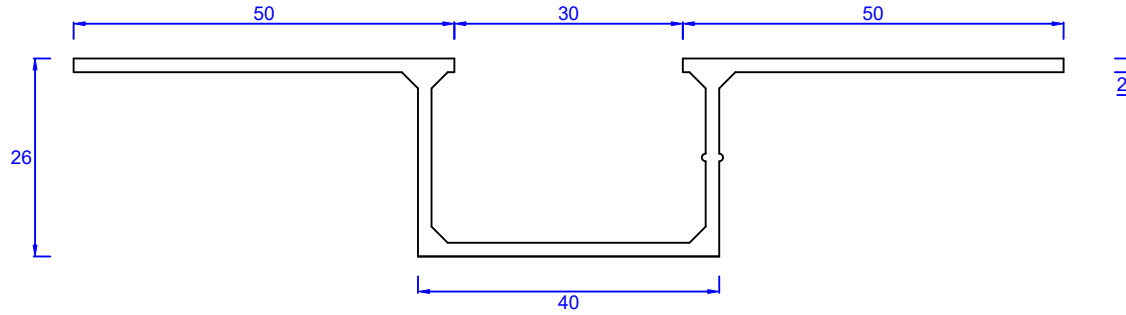
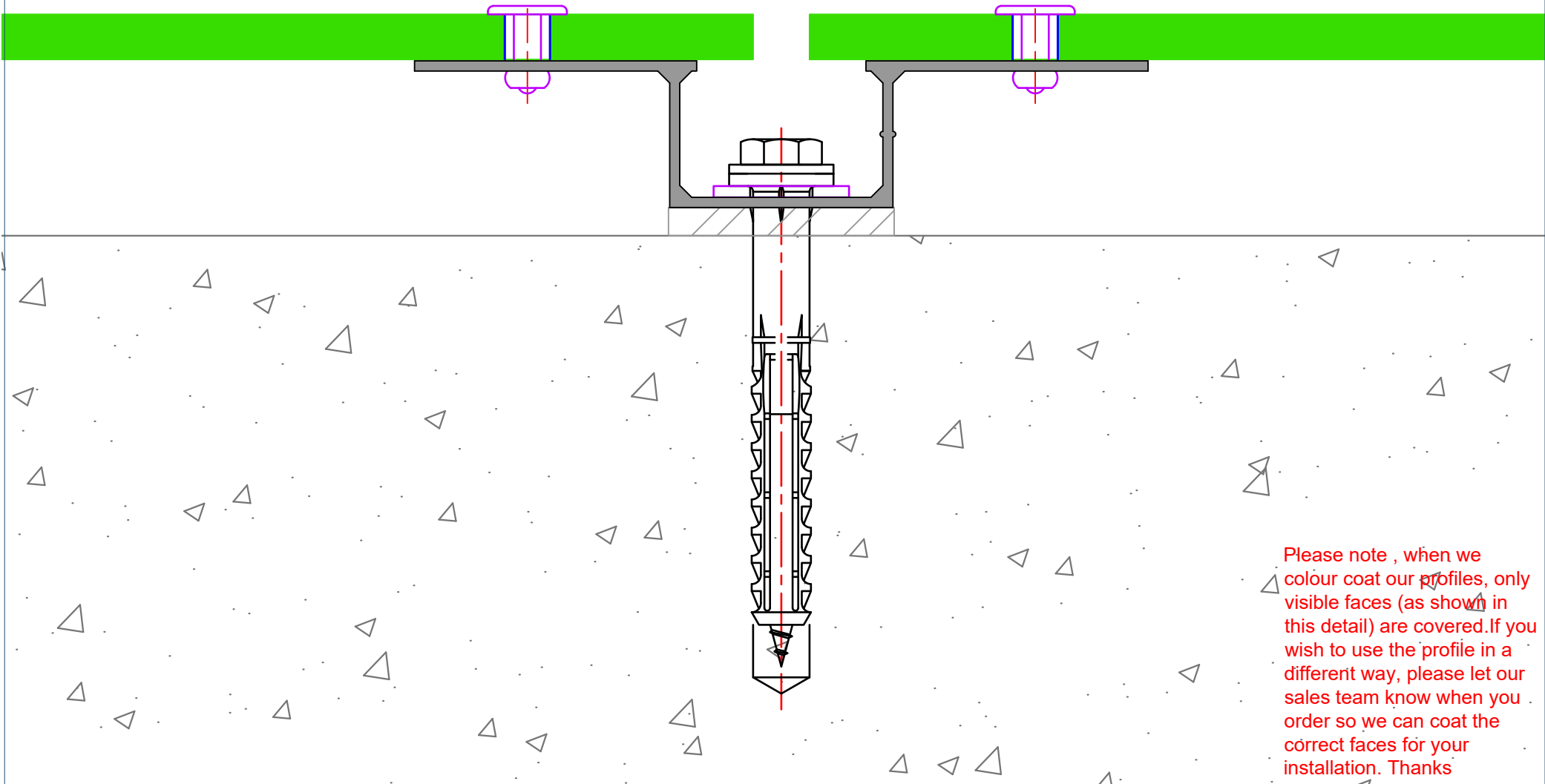


Standard & technical data  
Aluminium 6063 T6 comply with BS1474  
Tolerance comply to BS EN-755-9  
Chemical composition BS EN 573-3:2003

Landscape



# Typical detail (L)



Please note , when we colour coat our profiles, only visible faces (as shown in this detail) are covered. If you wish to use the profile in a different way, please let our sales team know when you order so we can coat the correct faces for your installation. Thanks